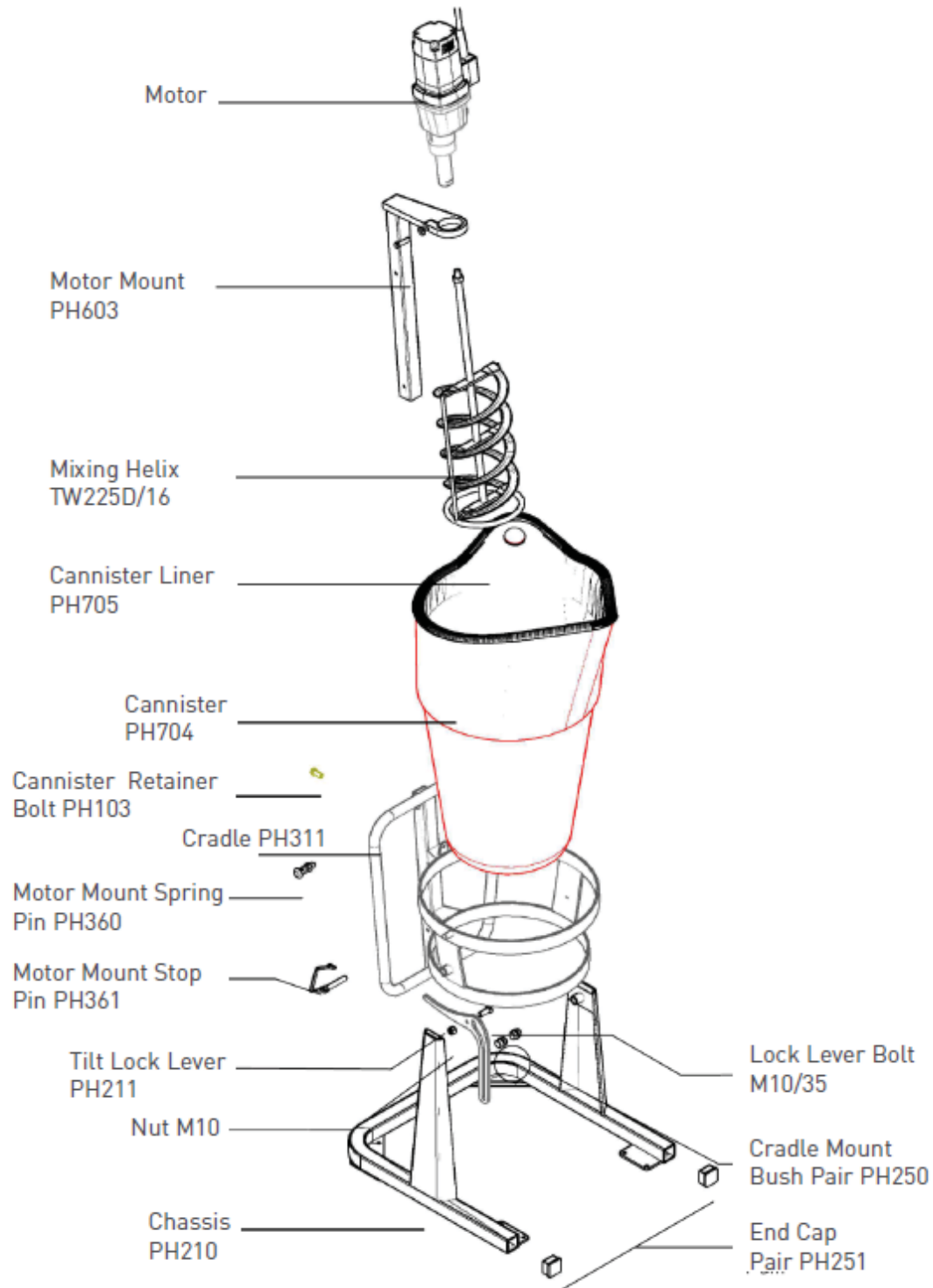


PLEASE SPECIFY TOOL MODEL # WHEN ORDERING PARTS

| | | |
|------------------------|---|----------------------------|
| PARTS BREAKDOWN | Model #: PMH80-series | Bulletin #: 03-2017 |
| PARTS LISTING | Description: Hippo Portamix Cart | Prepared By: SCW |
| WIRING DIAGRAM | Date: 3/02/2017 | |

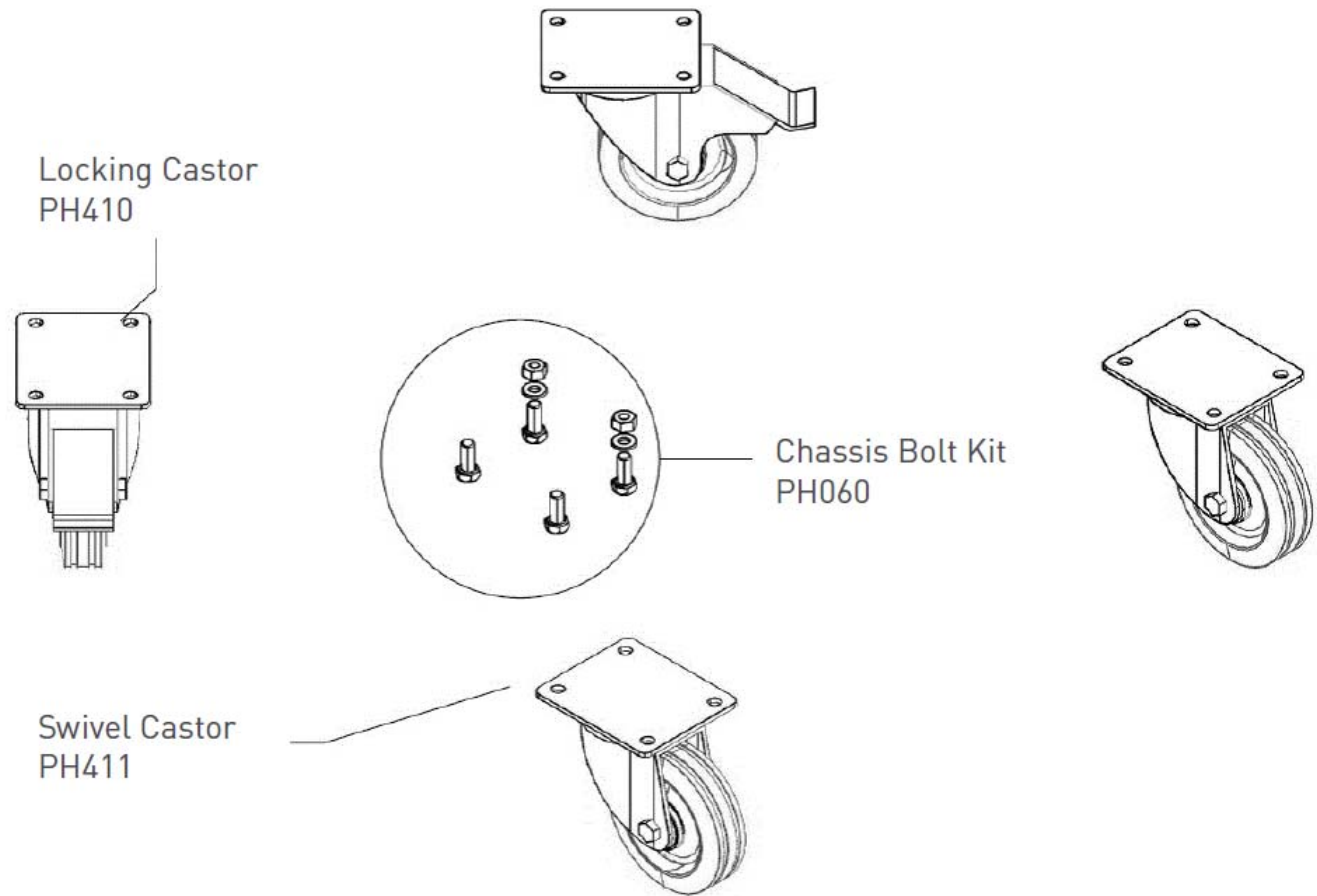
PMH80-series Hippo breakdown



PLEASE SPECIFY TOOL MODEL # WHEN ORDERING PARTS

| | | |
|------------------------|---|----------------------------|
| PARTS BREAKDOWN | Model #: PMH80-series | Bulletin #: 03-2017 |
| PARTS LISTING | Description: Hippo Portamix Cart | Prepared By: SCW |
| WIRING DIAGRAM | Date: 3/02/2017 | |

PMH80-series Hippo breakdown



PLEASE SPECIFY TOOL MODEL # WHEN ORDERING PARTS

| | | |
|------------------------|---|----------------------------|
| PARTS BREAKDOWN | Model #: PMH80-series | Bulletin #: 03-2017 |
| PARTS LISTING | Description: Hippo Portamix Cart | Prepared By: SCW |
| WIRING DIAGRAM | Date: 3/02/2017 | |

PMH80-series Hippo breakdown

To order these items as a complete kit use part number: PH500

